

LAKE METROPARKS



LAKE METROPARKS
11211 SPEAR ROAD
CONCORD TOWNSHIP, OHIO 44077

ADDENDUM NO. 1

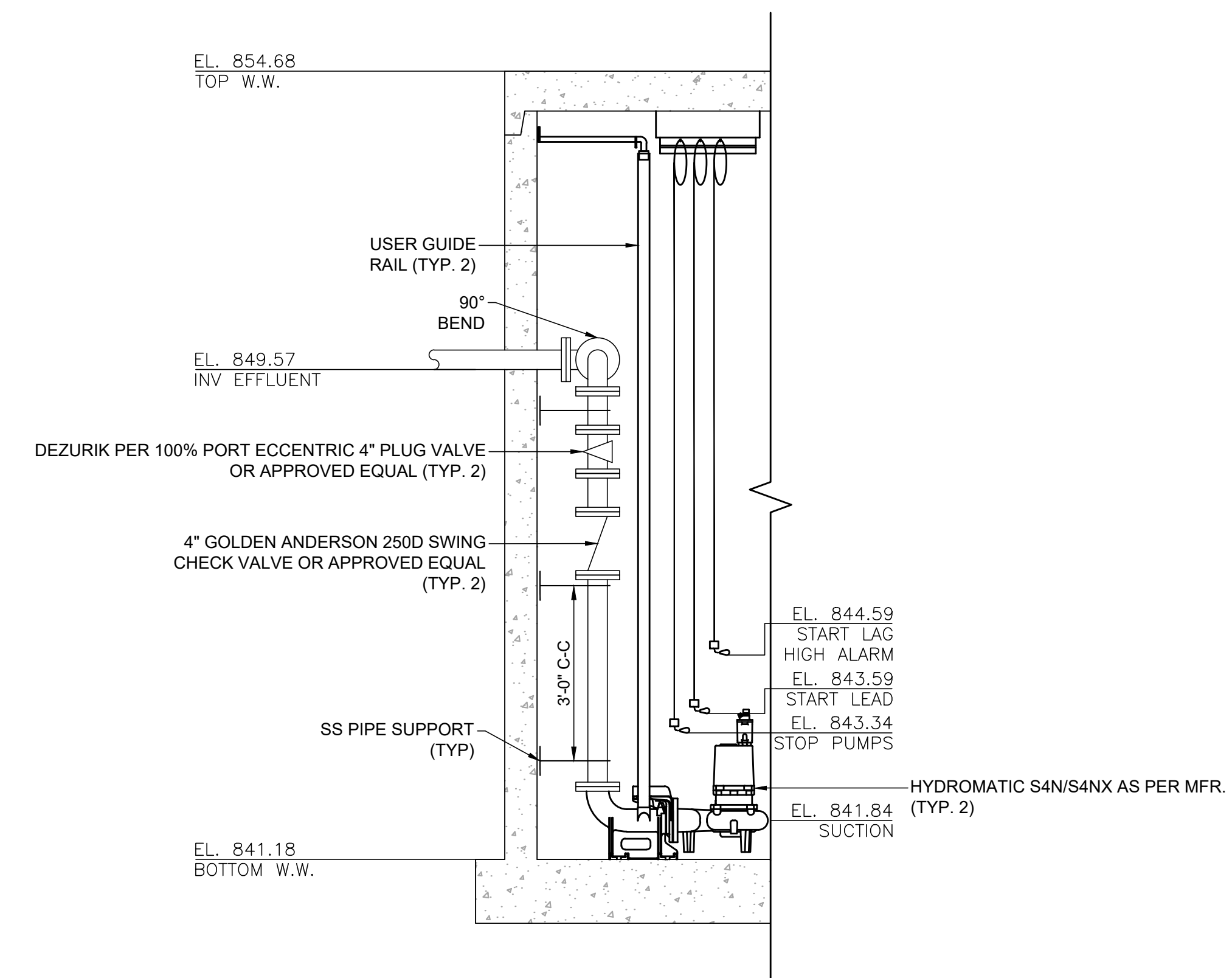
Addendum Date: November 25, 2019

Project Name: Concord Woods Garage Drainage Improvements
Bid Advertised Date: October 29, 2019
Bid Opening Date: December 10, 2019
Bid Number: 2019-049

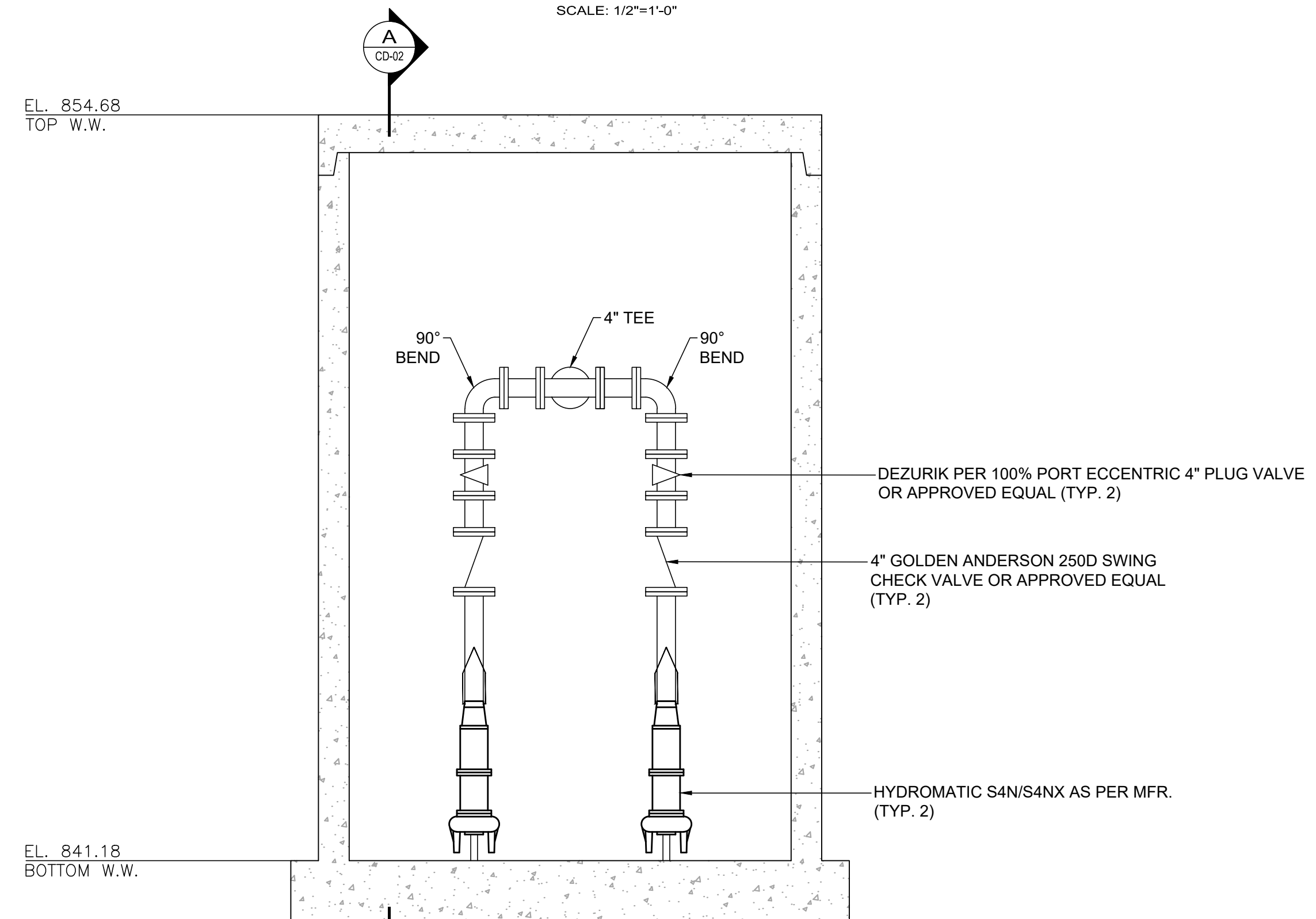
This addendum supplements and amends the original Bid Form and is hereby made a part of the Contract Drawings. Receipt of this Addendum must be noted on the "Bid Form".

ITEM 1: Sheet 05 of 09 (CD-02A) attached to this addendum shall be used in lieu of original sheet (CD-02). Check valves have been added to pump details per suggestion from Tim Weingart.

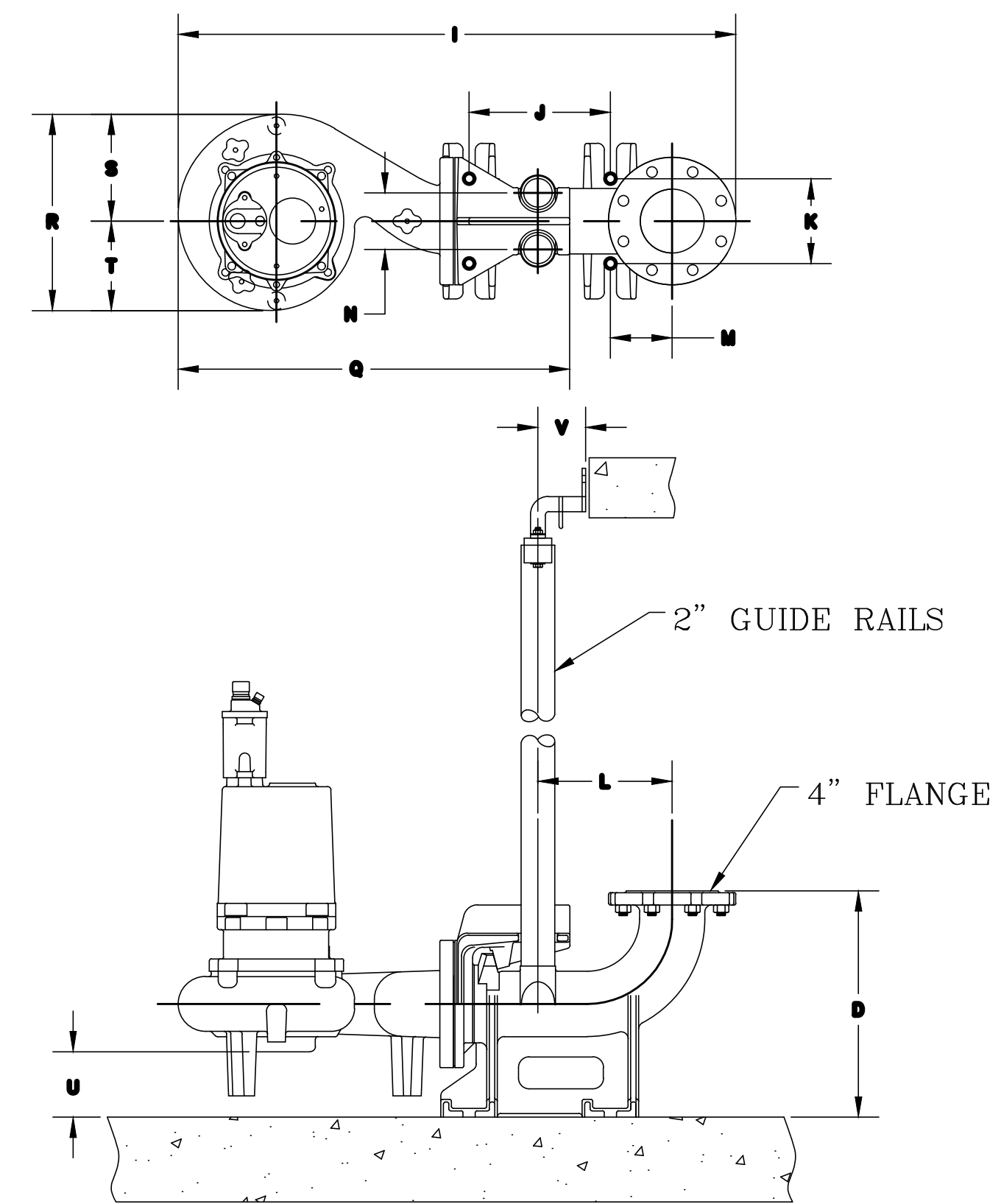
All questions concerning the Project and Addendum shall be referred to the Lake Metroparks Representative as listed in the Supplemental Instructions to Bidder.



SECTION A
 CD-02 SCALE: 1/2" = 1'-0"
 BAR SCALE
 SCALE: 1/2" = 1'-0"



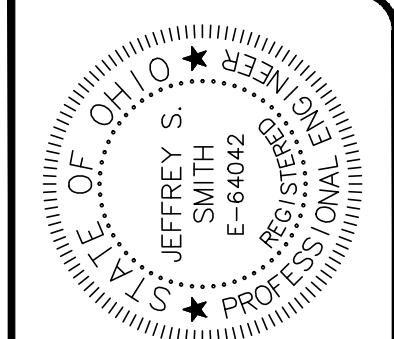
PUMP STATION SECTION
 SCALE: 1/2" = 1'-0"



D	I	J	K	L	M	N
16	39-7/16	7-1/4	6	10	4-3/8	4
Q	R	S	T	U	V	
27-11/16	13-7/8	7-9/16	8-5/16	4-5/8	3-3/8	

ALL DIMENSIONS IN INCHES
 NOTE: CASTING DIMENSIONS MAY VARY ±1/8"

HYDROMATIC PUMP DETAIL: S4N/S4NX ON 4" MTM



NO	REVISION	DATE
1	WET WELL SECTION VIEWS	

ISSUED FOR: AS SHOWN
 ISSUE DATE:
 SCALE:
 DESIGNED BY:
 DRAWN BY:
 CHECKED BY:

PROJECT NO. 190368
 DISCIPLINE
 SHEET NAME CD-02A
 SHEET 05 OF 09

LAKE METROPARKS
 GARAGE DRAINAGE IMPROVEMENTS
 PHASE 1
 CONCORD TOWNSHIP LAKE COUNTY OHIO
 CONSTRUCTION DETAILS - 02